

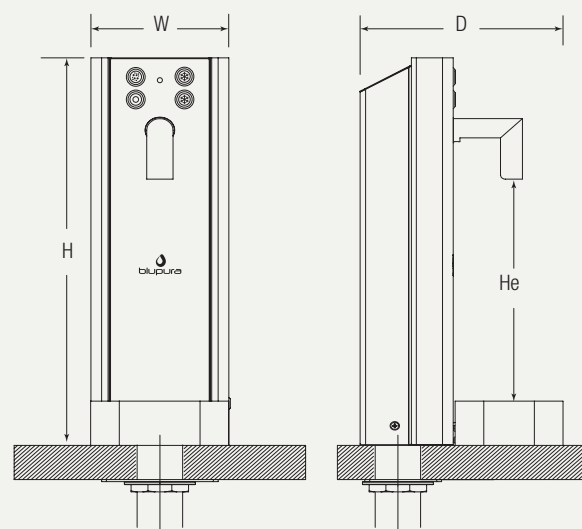
bluglass Tower



Portion control



Inox Touch



Bluglass Tower One 2W

Specifications	CS
Power supply	230V - 50Hz
User Interface Group	Stainless steel electromechanical pushbuttons
Power Consumption [W]	30
Max. Current Draw [A]	0,19
Water Connection [in]	5/16
CO ₂ Connection [in]	5/16
Dispensing Area Height He [mm]	260
Version	Dispensing head
Net weight [Kg]	6
Gross weight [Kg]	7

Dimensions WxDxH [mm]	142x209x455
Packaging dimensions WxDxH [mm]	186x195x712
Material	Stainless steel; tempered glass
Other features	Drip tray with drainage setup; can be combined with a Box model

Installation Requirements

Inlet water pressure	Max. 3,5 bar
Operating CO ₂ pressure	3,5 - 4 bar
Temperature of the operating ambient	Min. 16°C - Max. 32°C
Certifications	https://www.blupura.com/en/product/bluglass-tower/

For the correct installation of the system, the use of the WATER BLOCK is mandatory.



Blupura S.r.l. - Italy Tel. +39 071 971 0080
info@blupura.com - www.blupura.com

Blupura Usa - USA Phone +1 305 777 3591
blupurausa@blupura.com - www.blupura.com

Given the continuous technological evolution, Blupura reserves the right to improve or modify the products listed in this technical sheet without prior notice.