

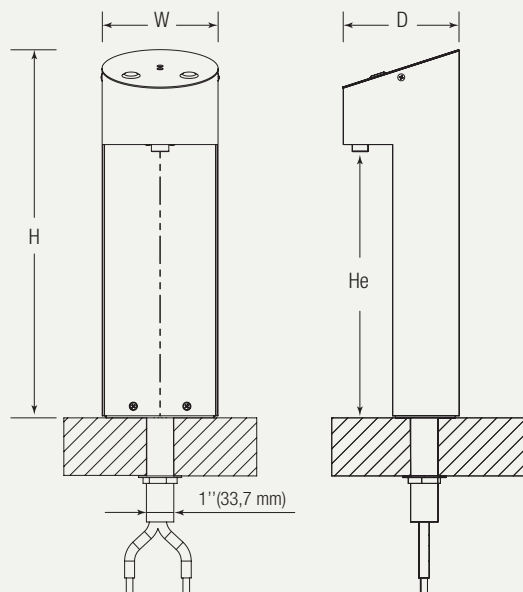
BLU Tower



Portion control



Inox Touch



Blutower Black 3 Buttons

Specifications	CAS
Power supply	230V - 50Hz
User Interface Group	Stainless steel electromechanical pushbuttons
Power Consumption [W]	35
Max. Current Draw [A]	0,15
Water Connection [in]	5/16
CO ₂ Connection [in]	5/16
Dispensing Area Height He [mm]	322
Version	Dispensing head
Net weight [Kg]	8
Gross weight [Kg]	9

Dimensions WxDxH [mm]	140x140x574
Packaging dimensions WxDxH [mm]	180x180x710
Material	Painted Stainless steel
Other features	Can be combined with a Box Model
Installation Requirements	
Inlet water pressure	Max. 3,5 bar
Operating CO ₂ pressure	3,5 - 4 bar
Temperature of the operating ambient	Min.16°C - Max. 32°C
Certifications	https://www.blupura.com/en/product/blutower-black/

BOX

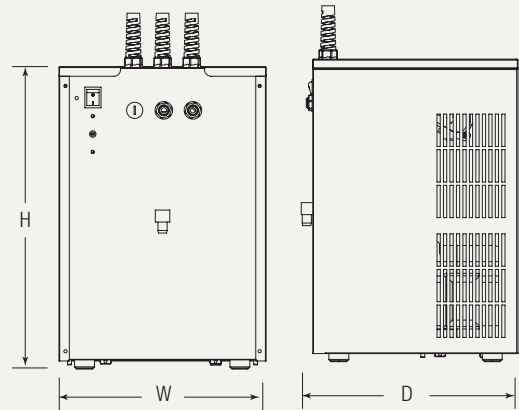
60
lt/h



Gas
R290



Ice
Bank



	Hot 60 Fizz	Hot 60
Cooling capacity [L/h]	60	
Specifications	CSH	CAH
Power supply	230V - 50Hz	
User Interface Group	n/a	
Pump	Membrane Carbonation Pump	n/a
Cooling Technology	Ice bank - Single Coil	
Ice Bank Capacity [Lt]	7	
Ice Bank [Kg]	5	3
Condensation	Ventilated Condensation	
Max. Hot Water Temperature	95°C	
Boiler capacity [Lt]	1	
Boiler Power [W]	1000	
Rated Compressor Power [HP]	1/8	
Power Consumption [W]	1210	1185
Max. Current Draw [A]	5,25	5,15
Water Connection [mm]	8	

	Hot 60 Fizz	Hot 60
CO ₂ Connection [mm]	8	
Dispensing Area Height He [mm]	n/a	
Version	Undercounter	
Net weight [Kg]	24	22
Gross weight [Kg]	26	24
Dimensions WxDxH [mm]	318x335x467	
Packaging dimensions WxDxH [mm]	360x360x640	
Material	Stainless steel; aluminum	
Alarms	n/a	
Other features	-	
Installation Requirements		
Inlet water pressure	Max. 3,5 bar	
Operating CO ₂ pressure	3,5 - 4 bar	
Temperature of the operating ambient	Min.16°C - Max. 32°C	
Certifications	https://www.blupura.com/en/product/box-60/	